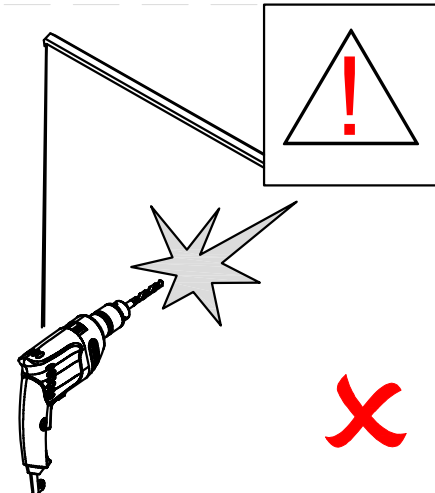
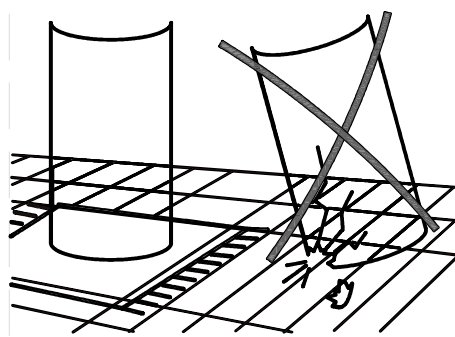
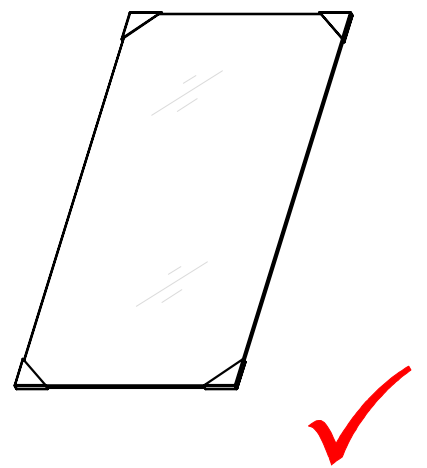
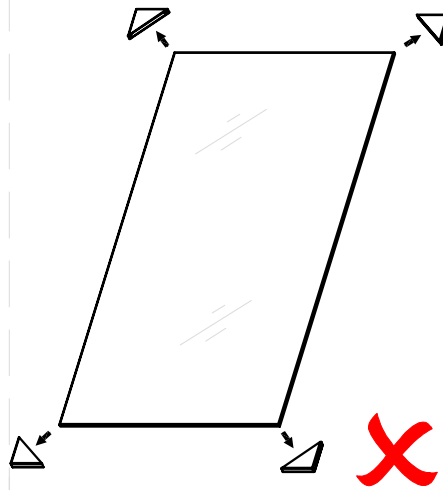
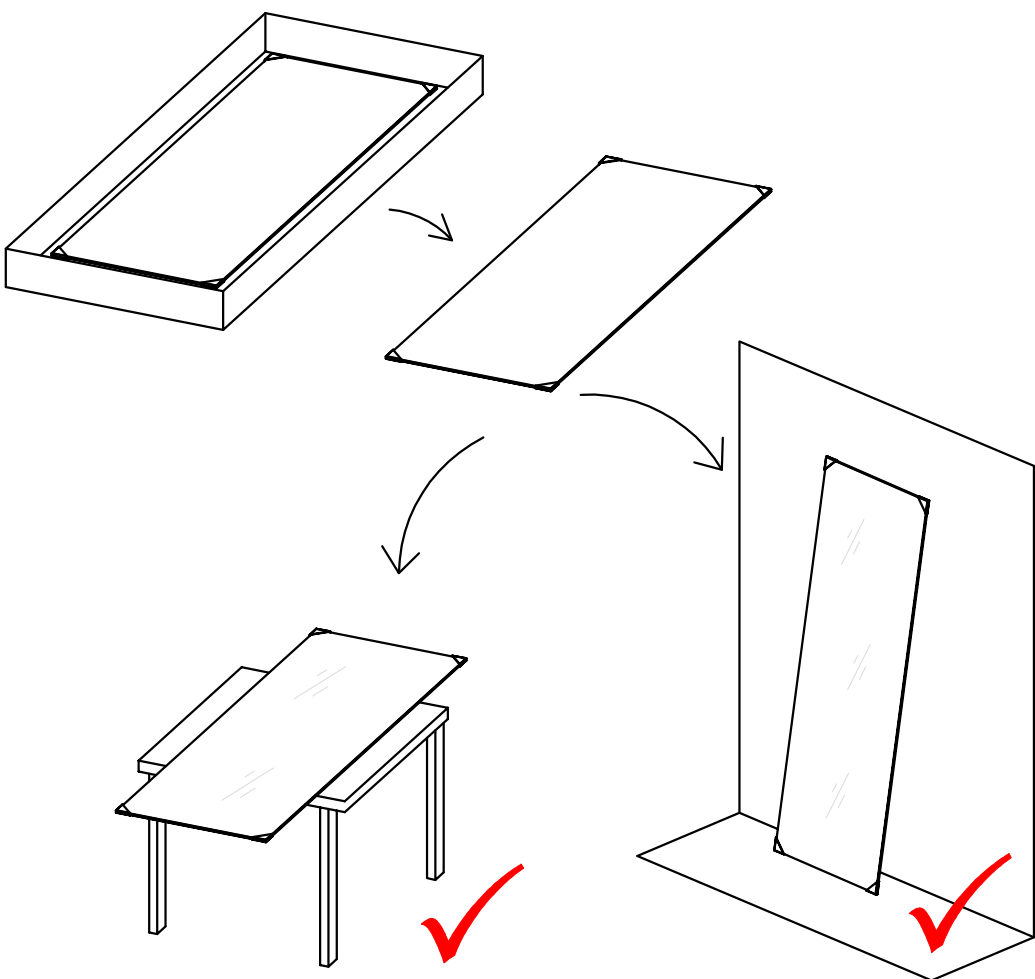
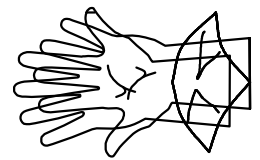
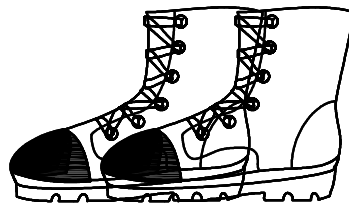
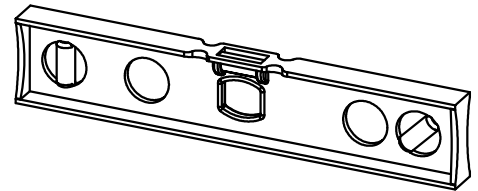
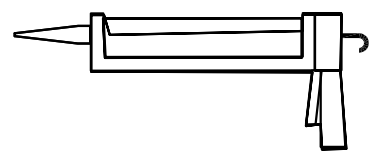
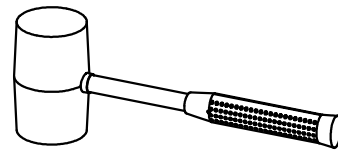
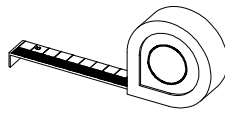
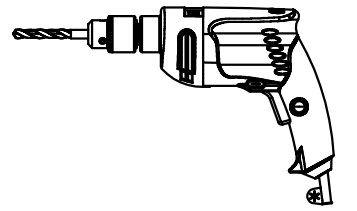
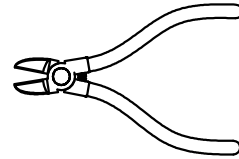
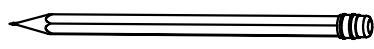
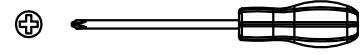
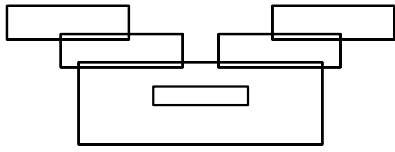
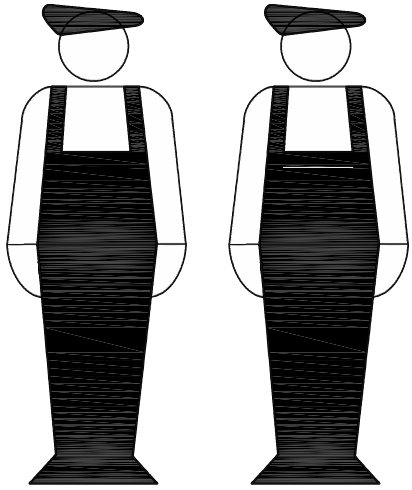
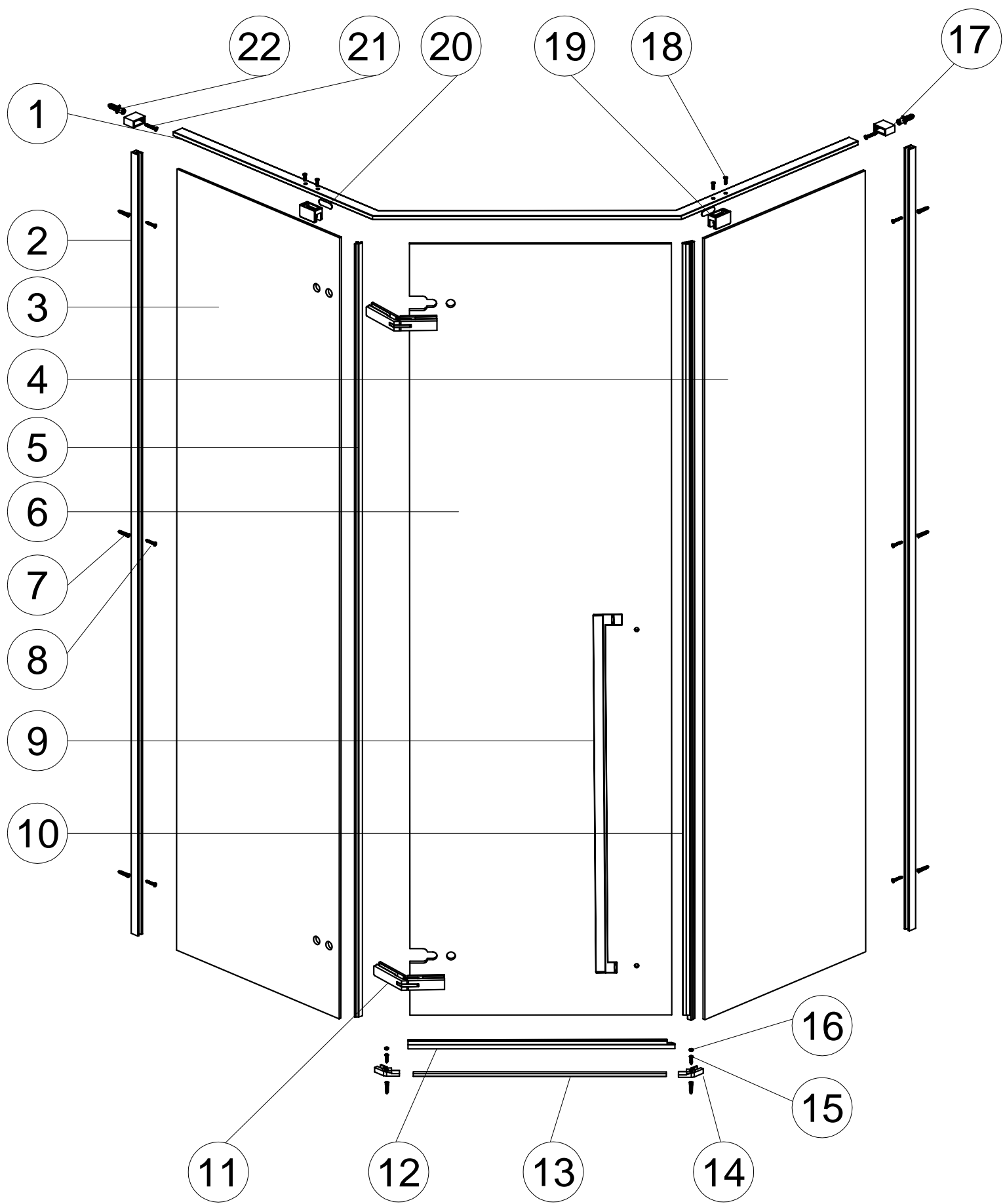



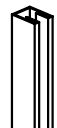
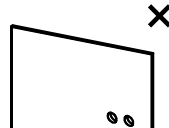


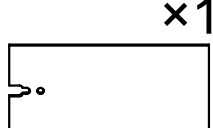


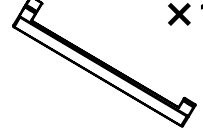
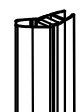
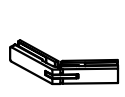
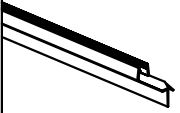










TTSSP

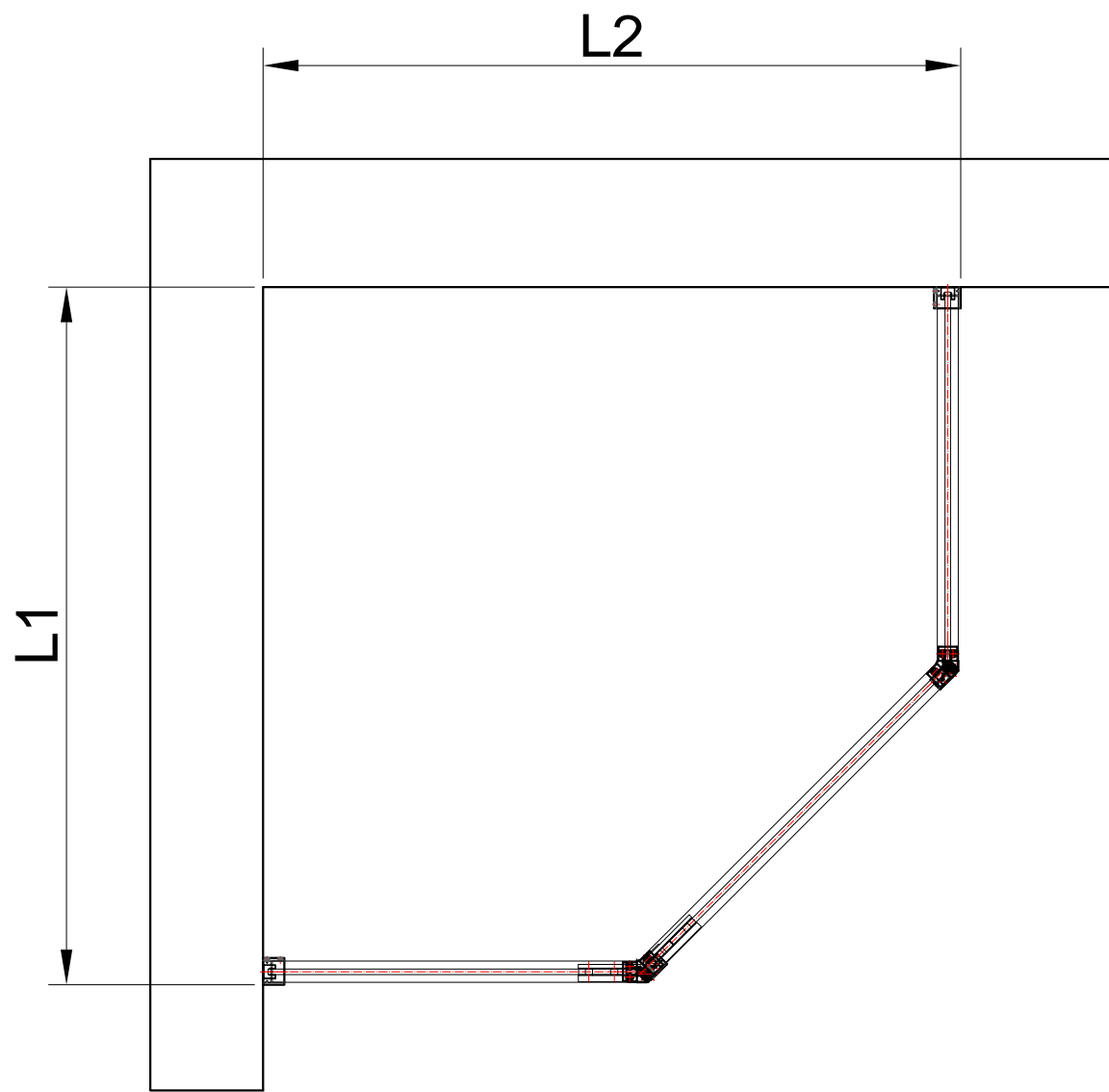


EN IMPORTANT - Please read and follow all warnings and instructions before using this product. Injury can result from improper use. Save this documents.



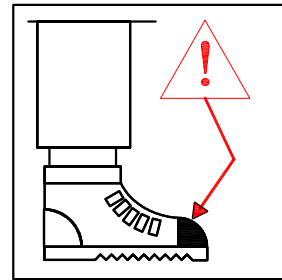
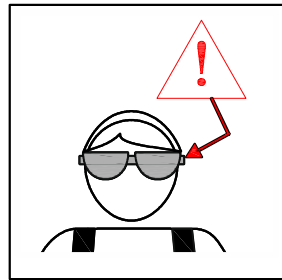
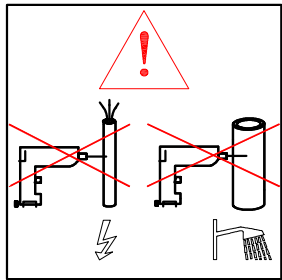
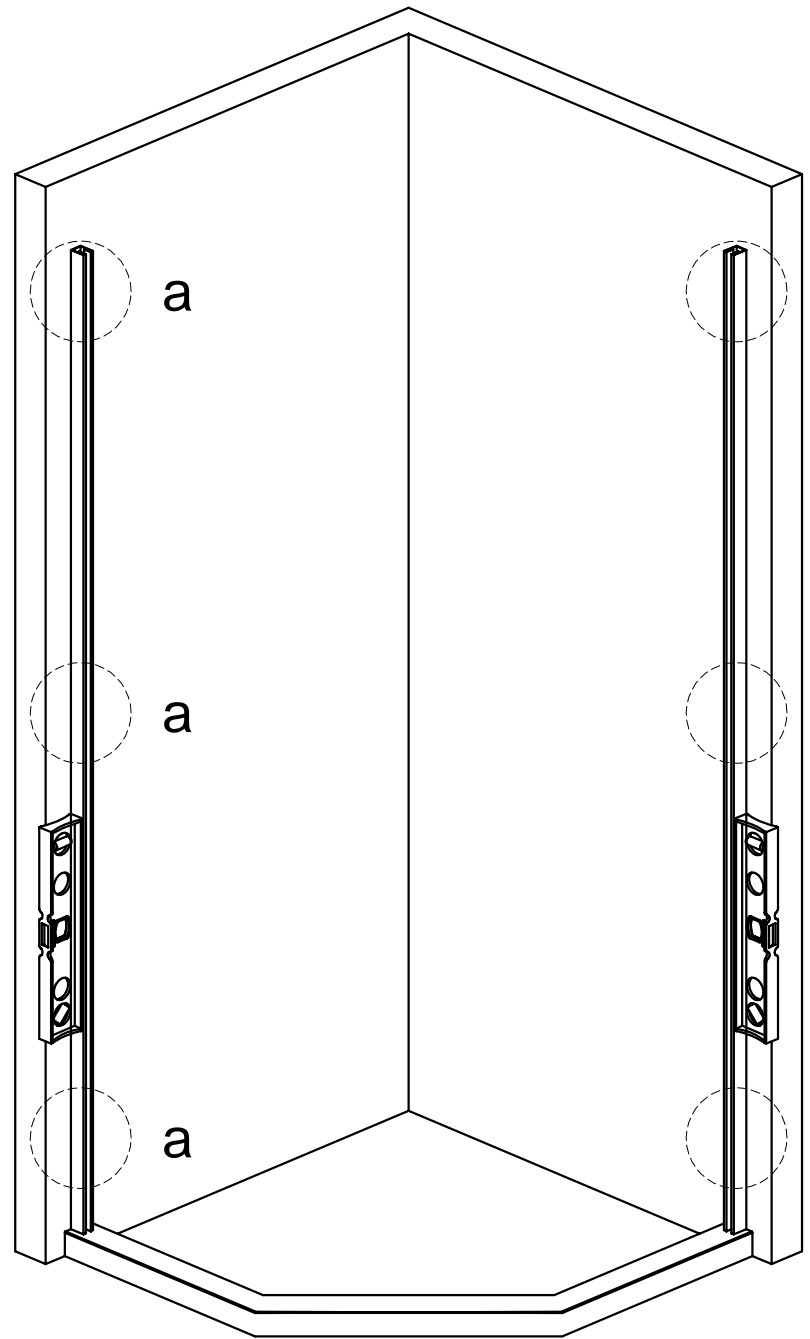
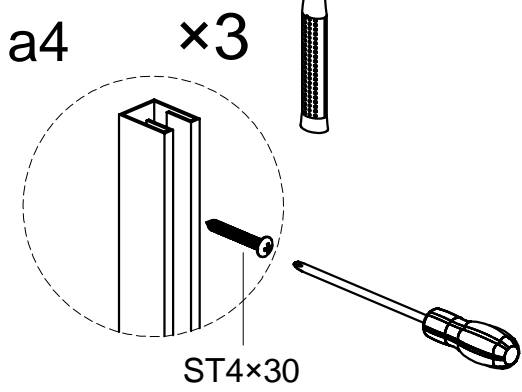
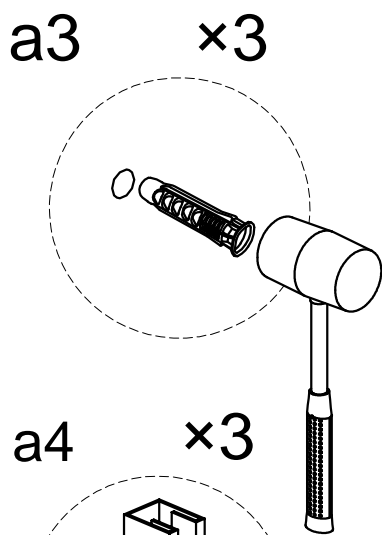
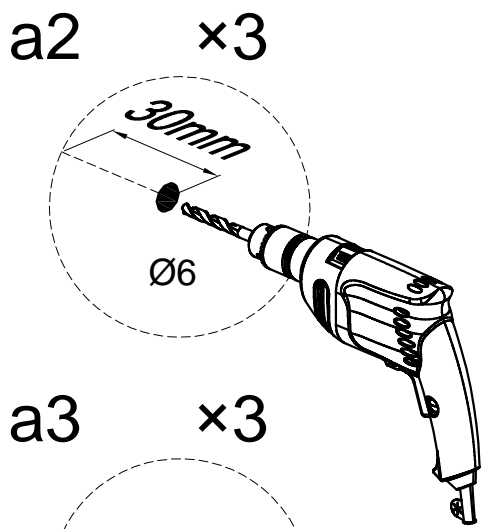
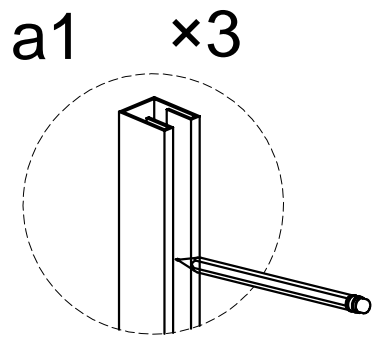
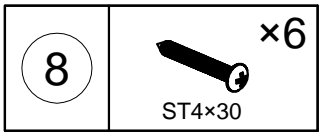
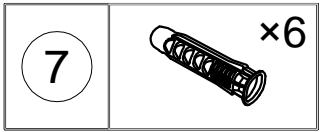
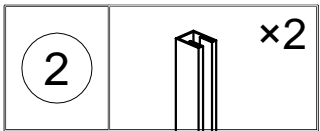


1	 x1	2	 x2	3	 x1	4	 x1	5	 x1
6	 x1	7	 x8	8	 x6 ST4x30	9	 x1	10	 x1
11	 x2	12	 x1	13	 x1	14	 x1	15	 x2 ST4x20
16	 x2	17	 x2	18	 x4 M5x16	19	 x2	20	 x2
21	 x2 ST5x40	22	 x2						

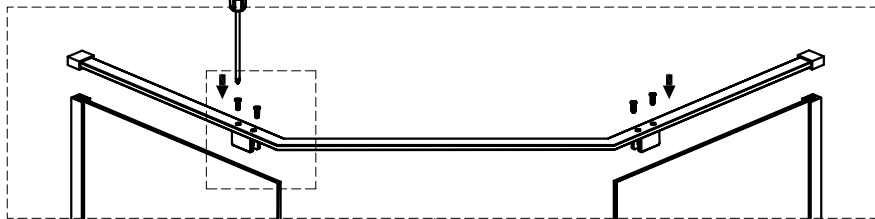
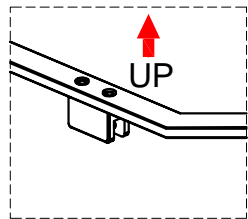
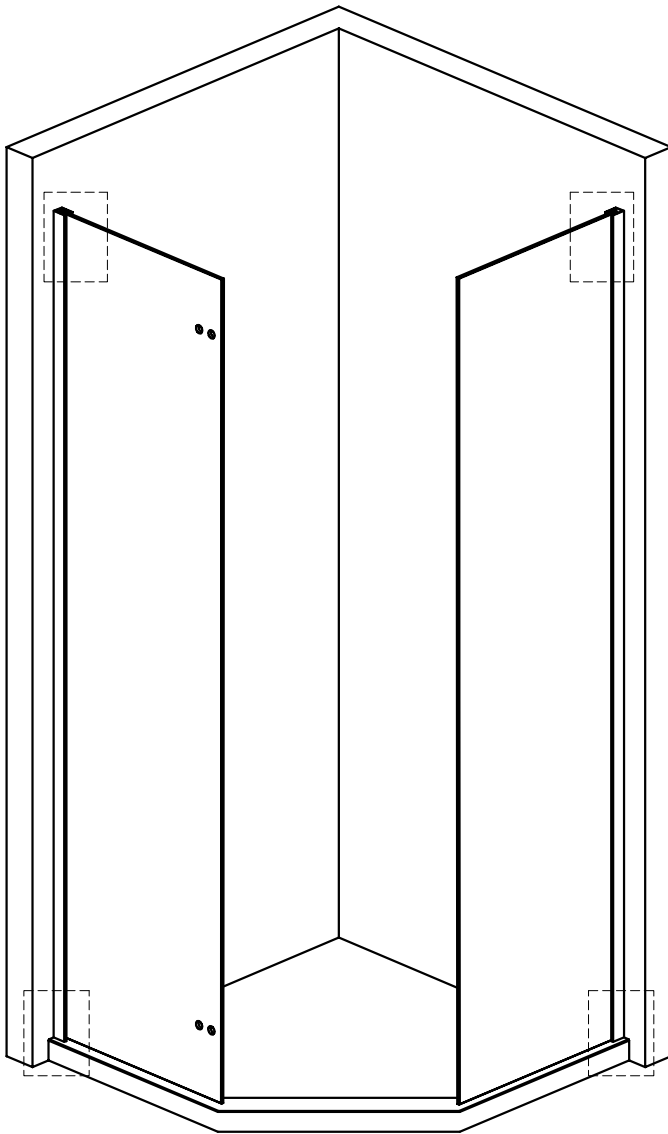
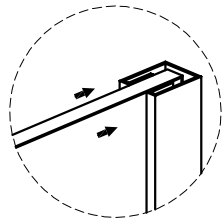
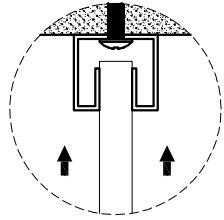
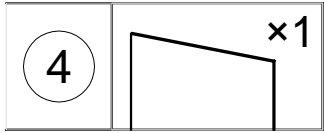
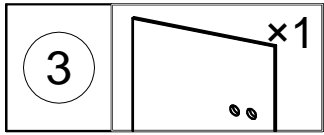


	L1		L2	
Size in:mm	Min.	Max.	Min.	Max.
L	L1	L1+9	L2	L2+9

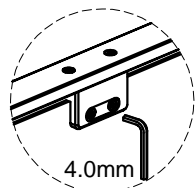
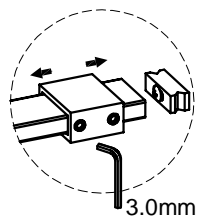
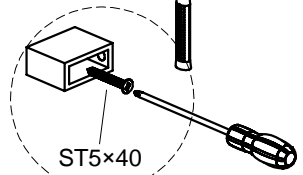
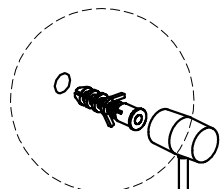
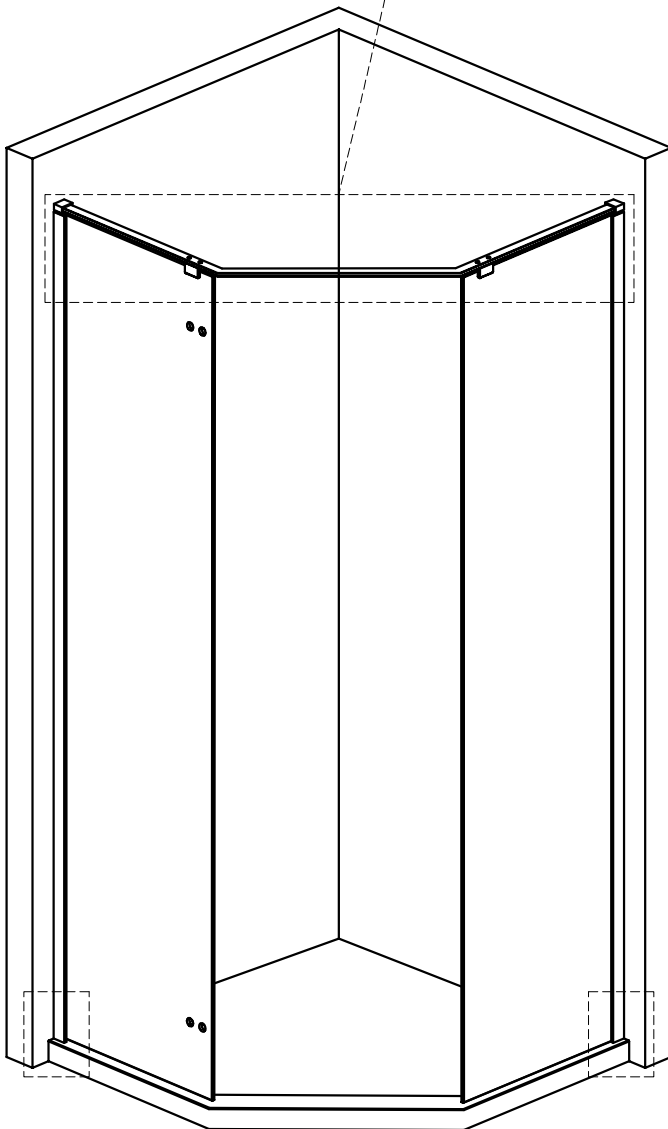
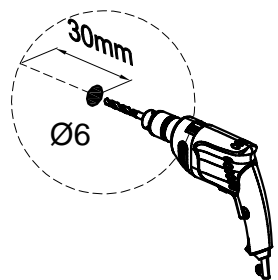
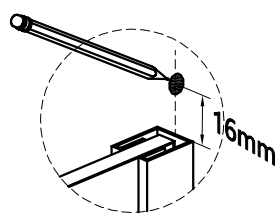
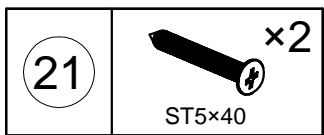
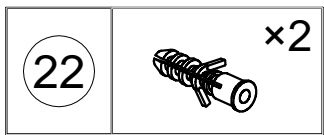
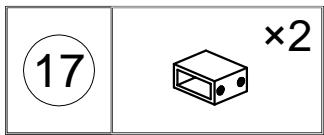
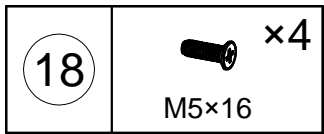
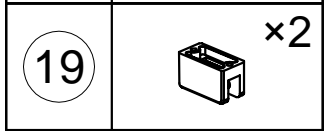
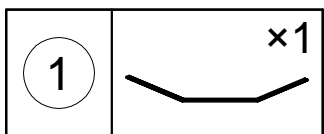
01







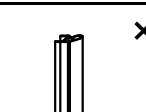
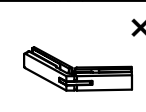
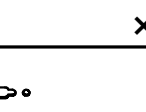
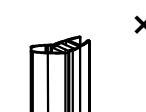
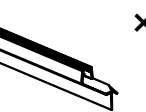
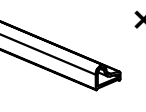
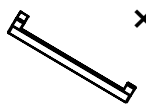

02

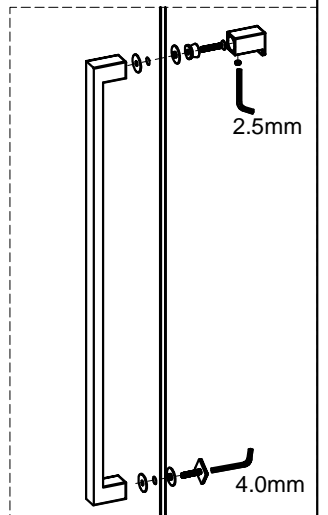
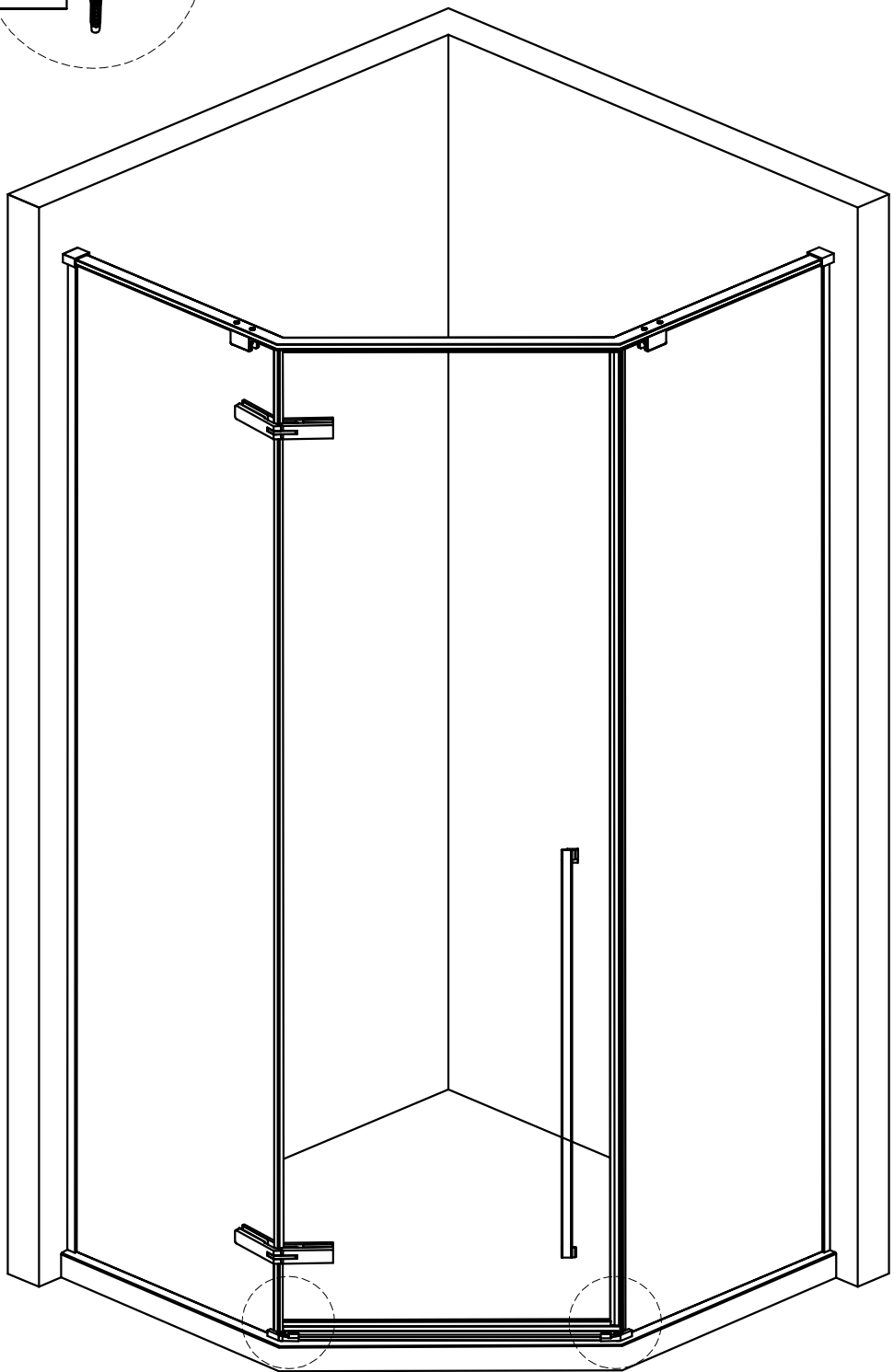
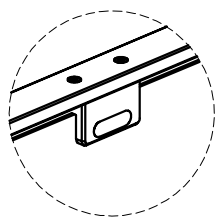
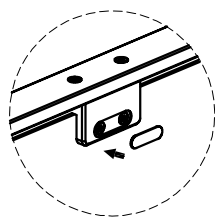
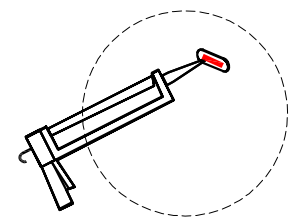
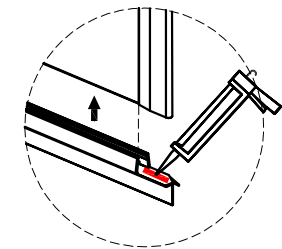
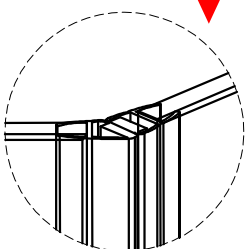
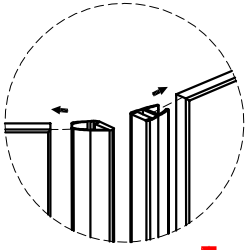
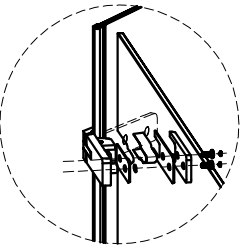
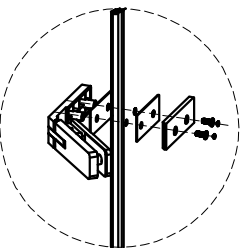
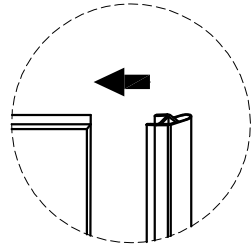
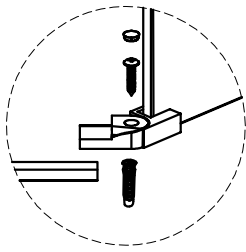
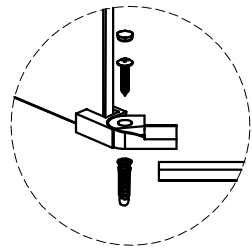


03

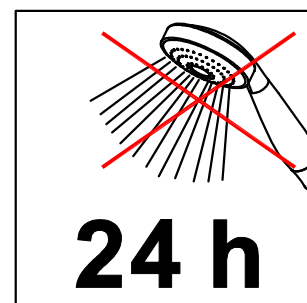
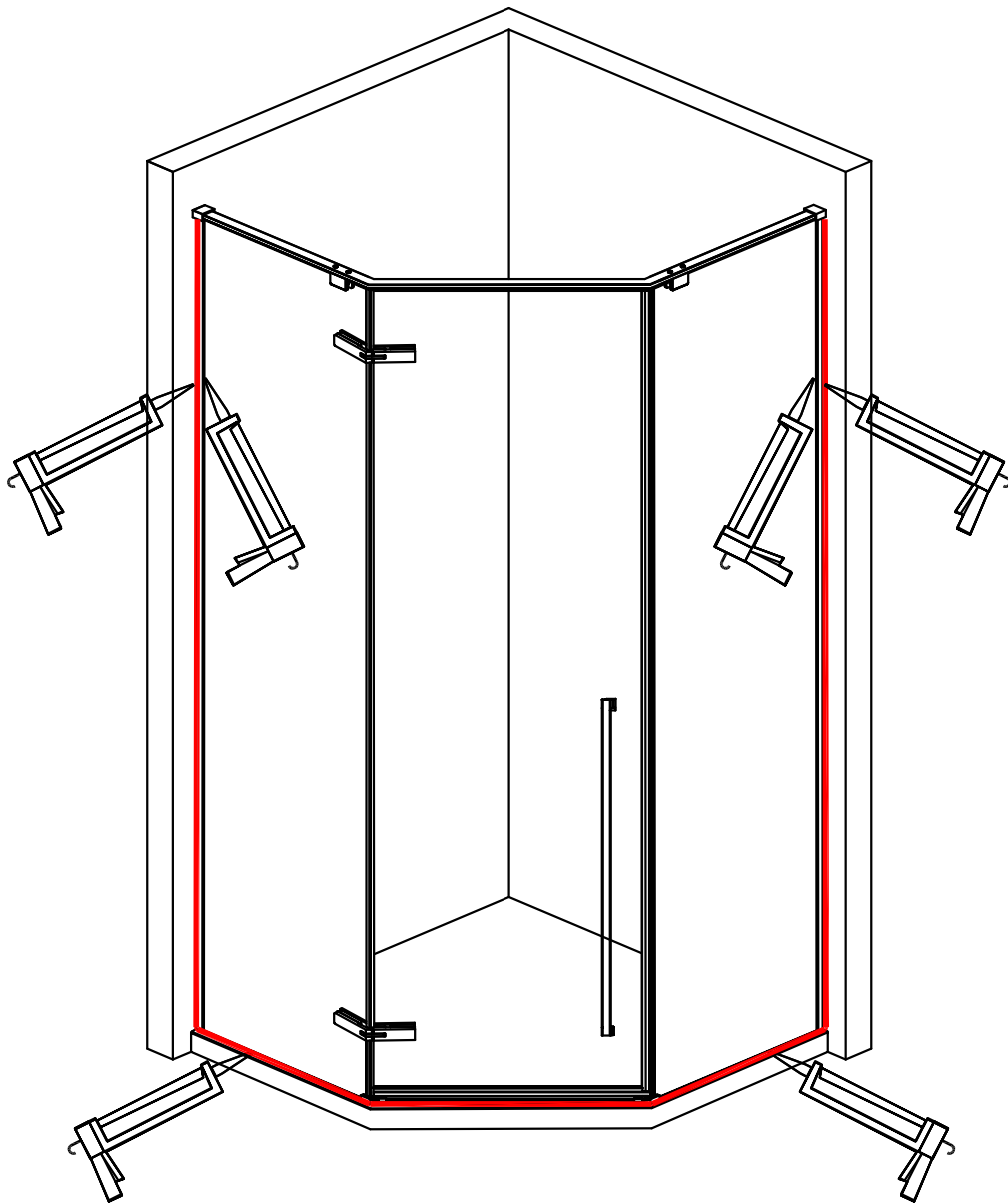


04

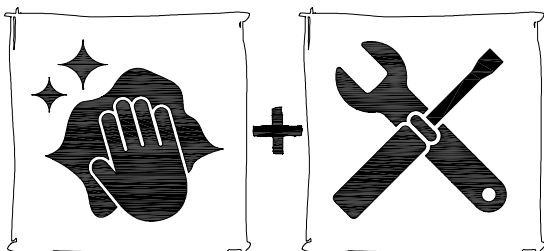
14	 x1
7	 x2
15	 x2 ST4x20
16	 x2
5	 x1
11	 x2
6	 x1
10	 x1
12	 x1
13	 x1
9	 x1
20	 x2



05



EN Do not use the shower enclosure for at least 24 hours in order to allow the silicone sealant to cure fully.



EN Care & maintenance

EN

The golden rules for care

NOTE: Use warm soapy water and a soft damp cloth to keep the glass clean. Wipe dry with a clean cloth. Glass cleaner can be used if required. Scourers, abrasives and chemical cleaners can damage the glass and pattern, and should not be used.

In hard water areas, insoluble lime salts may be deposited on the glass. If this is allowed to build up it becomes increasingly difficult to remove and looks unsightly. Regular cleaning will minimize this effect.

- Do not attempt to cut the glass.
- Do not strike the glass with hard or pointed items.
- Regularly check moving parts such as rollers and hinges to ensure they are secure and adjusted correctly. Tighten and adjust where required. Also check all sealed joints to ensure seal has not deteriorated. Re-seal if required.